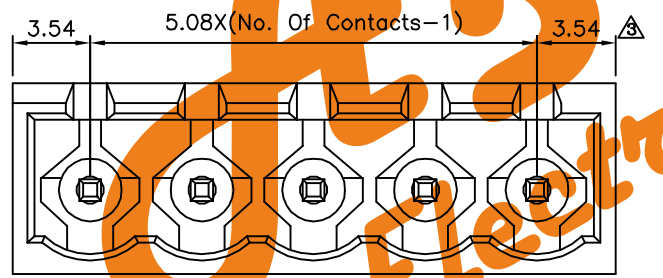
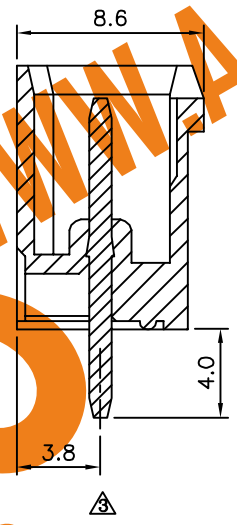
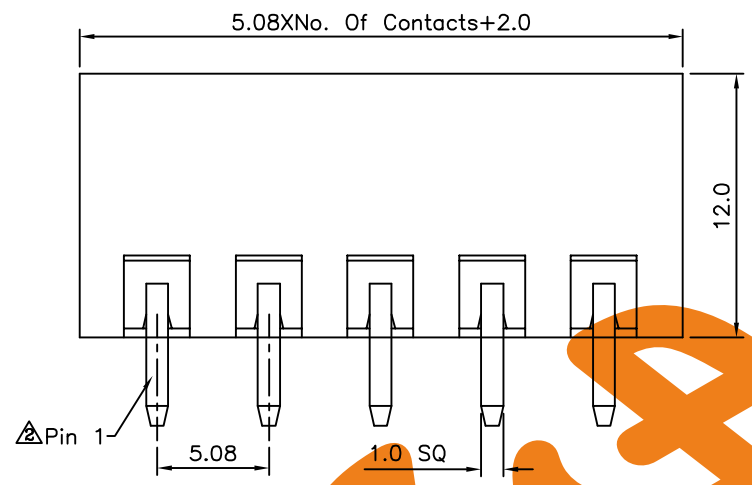


Recommended P.C.B. Layout

△ SPECIFICATION

Current Rating:16A
 Voltage Rating:300V AC
 Withstanding Voltage:2500V AC(1Minute)
 Using Temperature Range:-40°C~+105°C
 Soldering Temperature:+250°C,5s Max.
 Solder Pin:Copper Alloy,Tin Plated
 Insulator Body(Housing):Polyamide+G.F.(UL94V-0),Green
 RoHS Compliant



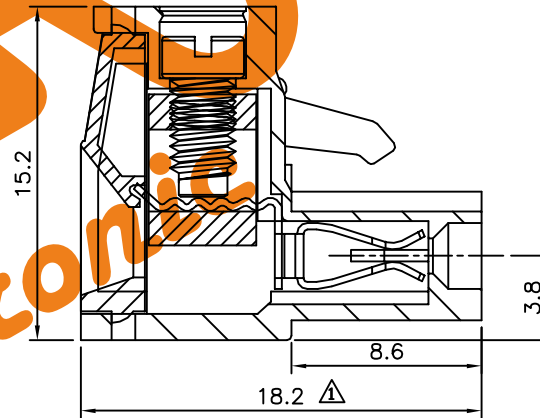
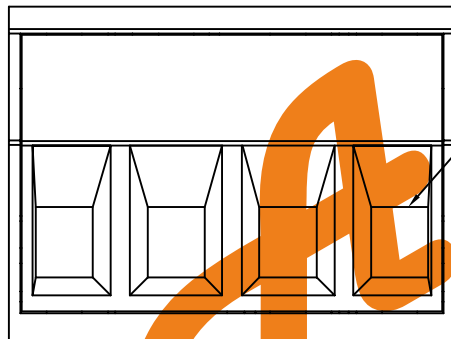
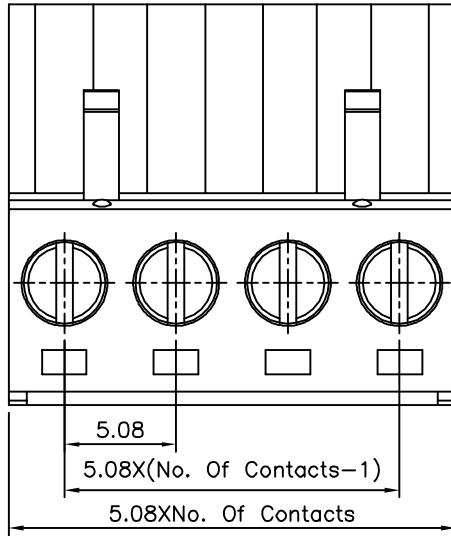
AsA Electronic
 WWW.AsA-Elec.com
 AsA Electronic Co.
 Tel : (+98) 21 66 73 56 82 Mob : (+98) 912 03 161 02

APPROVED BY		EMILY
CHECKED BY		H.Z
DRAWING BY		GAO
SCALE	NONE	REV. A3

UNLESS OTHERWISE SPECIFIED TOLERANCES ARE
 X. ±0.50
 .X ±0.30
 .XX ±0.20
 ANG. ±1°
 UNIT mm

tel: 09192986670			
△ A3	Modify Data	HZF	01/25/2013
△ A2	Add Pin 1	HZF	11/22/2011
△ A1	Modify Data	HZF	08/04/2011
△ A0	NEW RELEASE	HZF	04/13/2009
NO. REV.	REVISIONS	CHK	DATE

△△ SPECIFICATION
 Current Rating:16 Amp/Way Max.
 Voltage Rating:300V AC
 Contact Resistance:20 Milliohms Max.
 Withstanding Voltage:2500V AC(1 Minute)
 Test Time=60 Sec./1 PCS
 Operation Temperature:-40°C~+105°C
 Soldering Reliability:Test Temperature=250°C±10°C/
 5 Seconds Max.
 Wire Range:12~26 AWG
 Torque:5.0 Kgf.cm/M3
 Insulator Body(Housing):Polyamide(UL94V-0),Green
 Contact(Metal Housing):Copper Alloy,Nickel Plated
 Wire Guard:Copper Alloy,Tin Plated
 Screw:Steel,Galvanized With Cr3+ Plated
 RoHS Compliant



ASA Electronic
 WWW.ASA-Elec.com
 AsA Electronic Co.
 Tel : (+98) 21 66 73 56 82 Mob : (+98) 912 03 161 02

APPROVED BY EMILY
 CHECKED BY H.Z
 DRAWING BY YBL
 telegram: 09396994470
 SCALE NONE
 REV. A3
 UNIT mm

UNLESS OTHERWISE SPECIFIED TOLERANCES ARE
 X. ±0.50
 .X ±0.30
 .XX ±0.20
 ANG. ±1°

NO.	REV.	REVISIONS	CHK	DATE
△A3	A3	Modify Spec.	HZF	02/12/2014
△A2	A2	Modify Data	HZF	12/16/2011
△A1	A1	Modify Data	HZF	06/29/2010
△A0	A0	NEW RELEASE	HZF	04/10/2009